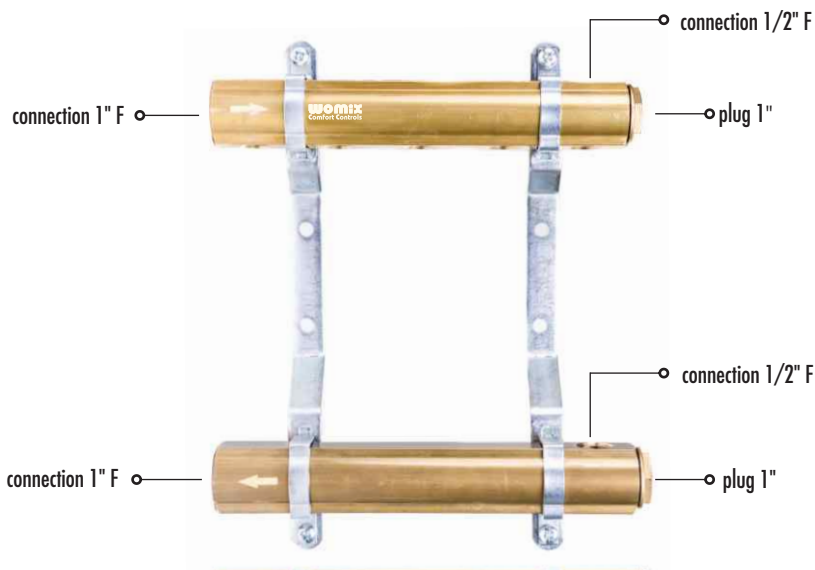


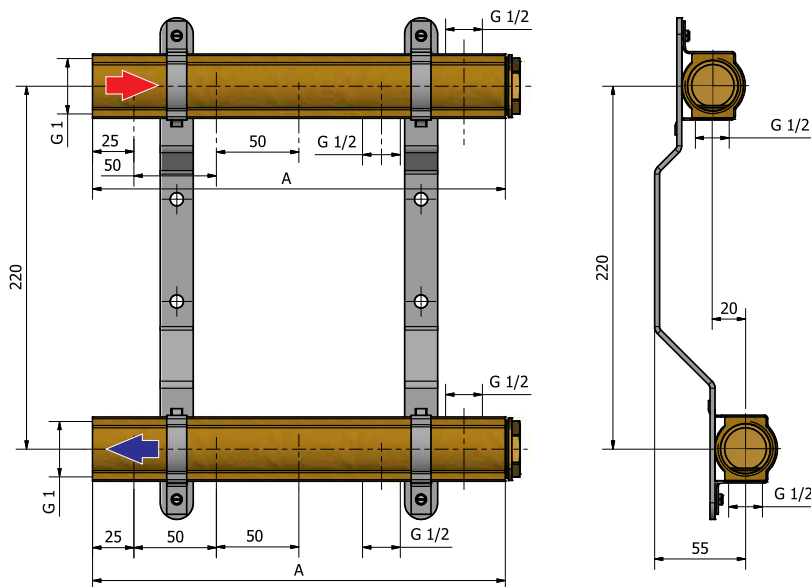
Brass manifold for radiator heating **CM**



Brass manifold **CM** is responsible for distribution and regulation of the heating medium. The manifold allows connecting different circuits and installation zones, increasing the efficiency of the heating system. It contains two C-profile beams connected with two steel holders, connections for air vents and connections for supply and return of the system.

Technical data:

Destination:	radiator heating
Material:	brass
Section number:	2 - 12
Construction:	C-profile brass beams
Permissible operating temperature:	95°C
Permissible operating pressure:	6 bar
Manifold beam spacing:	220 mm



Name	Nr of sections	A (mm)	Catalog number
CM 2F	2	100	200102
CM 3F	3	150	200103
CM 4F	4	200	200104
CM 5F	5	250	200105
CM 6F	6	300	200106
CM 7F	7	350	200107
CM 8F	8	400	200108
CM 9F	9	450	200109
CM 10F	10	500	200110
CM 11F	11	550	200111
CM 12F	12	600	200112